

H&H SUPER POWER JACK MODEL #12250

Owner's Instructions

H&H Engineering Super Power Jack is designed to lift, up to 3,000 pounds a full 18 inches. Its design also includes attached foot plate, and an emergency crank. An important part of owning and using the Super Power Jack is being sure it is properly installed and serviced.

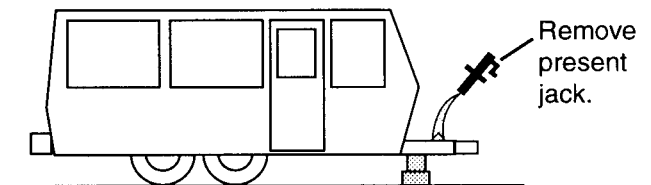
GENERAL SAFETY

- Read and understand the Super Power Jack installation instructions.
- Always block trailer wheels when using the jack.
- Remove jewelry (watches, rings, etc.).

BEFORE INSTALLATION

Raise your travel trailer's front end and place blocks under the front "A" frame.

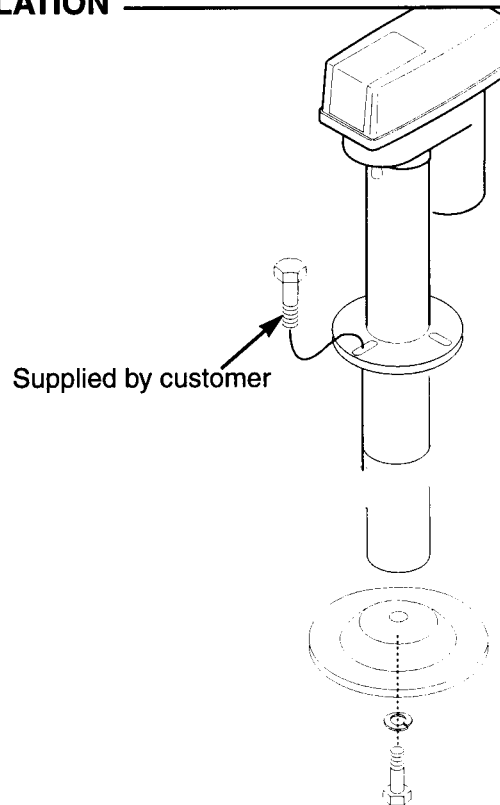
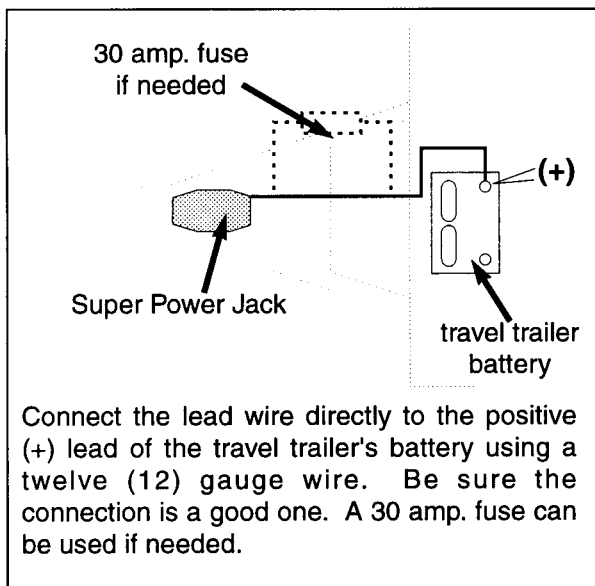
Lower the trailer until it rests securely blocks. Retract present jack and remove it.



INSTALLATION

Install Super Power Jack in hole and secure with, 3 bolts (bolt holes are threaded).

Attach the foot plate to Super Power Jack with 1/2-20 bolt and 1/2" lockwasher.



IMPORTANT NOTICE

Powerhead may be repositioned and rotated to eliminate interference with LP gas cylinder shroud.

- Just loosen set screws on powerhead collar, position head in desired location, and retighten set screw.

IMPORTANT: THE SUPERJACK HEAD SHOULD BE ROTATED NO MORE THAT 90 DEGREES IN EITHER DIRECTION.

- More that this may require following the "re-timing" instructions or result in damage to jack.



H&H SUPER POWER JACK MODEL #12250

Owner's Instructions

OPERATION (ELECTRIC)

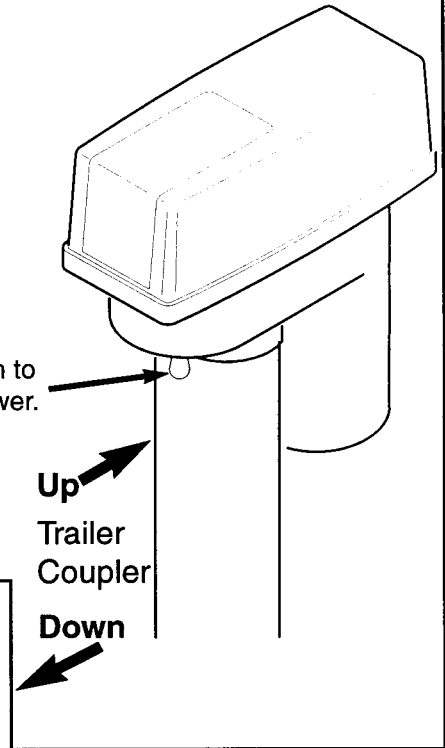
REMEMBER TO KEEP HANDS AND FEET FROM UNDER THE FOOT PLATE WHEN USING SUPER POWER JACK.

When the H&H Super Power Jack reaches the end of its travel (either raising or lowering) internal limit switches automatically shut motor off.

Dolly wheels are not recommended.

Use switch to raise or lower.

Up
Trailer
Coupler
Down



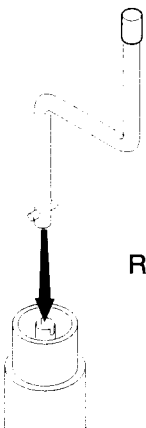
WARNING

Avoid the risk of injury to yourself and others:

- Use the jack for lifting the travel trailer only.
- Never get beneath the travel trailer when it is supported by the jack.
- Support the vehicle with the

OPERATION (MANUAL)

If electrical failure should occur remove the powerhead by loosening the 2 allen set screws holding it to the jackpost. The emergency handle may be inserted into the jackpost and the jack can be raised or lowered.



REMEMBER TO KEEP HANDS AND FEET OUT FROM UNDER THE FOOT PLATE WHEN USING THE SUPER POWER JACK.

INSTALL POWERHEAD

Powerhead must be synchronized with the jackpost.

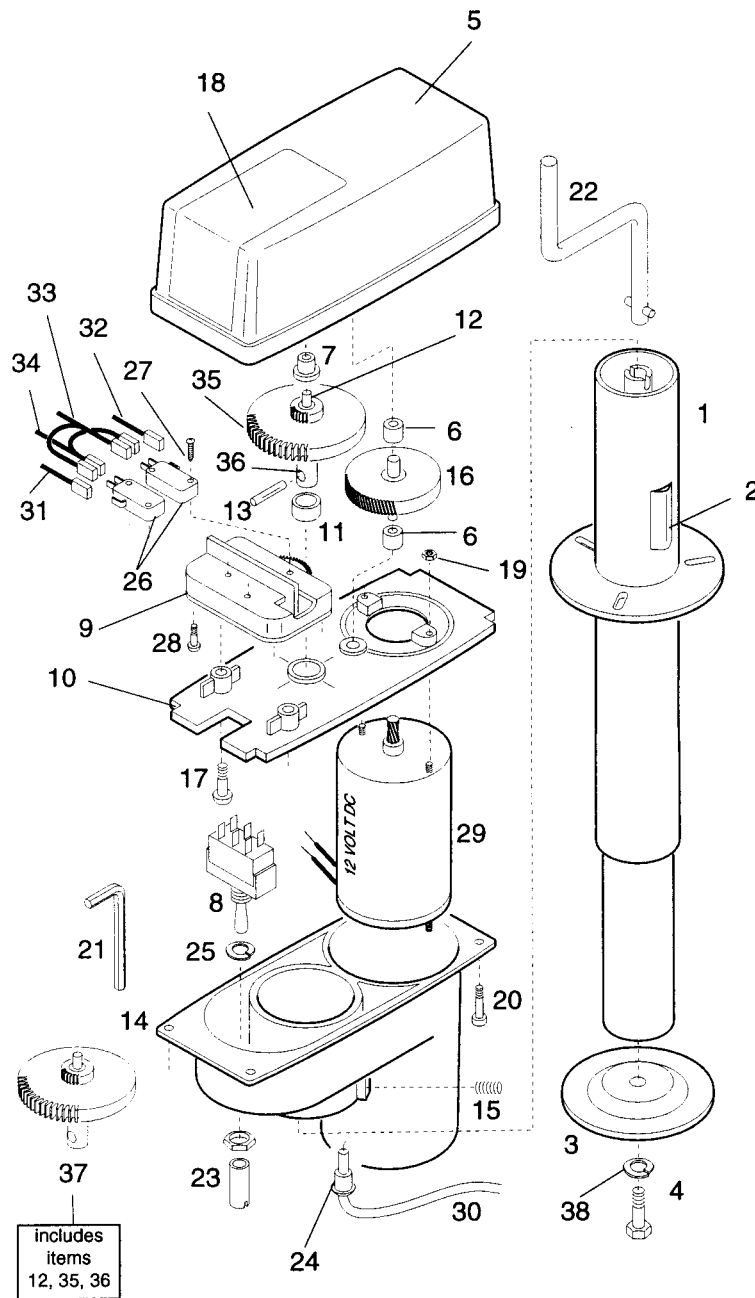
- Use the crank to fully retract post.
- Crank jackpost one turn in opposite direction
- ground powerhead to jackpost or trailer frame.
- Push switch away from jackpost housing (as if retracting post). Hold switch until motor stops running (as if jackpost is retracted all the way).
- Install powerhead and tighten set screws.

© Copyright H&H Engineering 1996

H&H SUPER POWER JACK MODEL #12250

Owner's Instructions

Parts



Item	Part No.	Req'd	Description
1	11631	1	POST ASSEMBLY
2	15017	1	WIRE GUARD
3	12752	1	FOOT
4	600-0011	1	BOLT (1/2-20 X 3/4")
5	13136	1	COVER
6	80501	2	BUSHING, BRONZE
7	10055	1	BUSHING, FLANGE
8	81704	1	SWITCH, TOGGLE
9	16161	1	LIMIT SWITCH ASSEMBLY
10	12200	1	CENTER PLATE
11	80520	1	BUSHING, BRONZE (7/16)
12	15552	1	GEAR, POT / REED
13	80426	1	GROOVE PIN
14	15027	1	HOUSING
15	81107	2	SET SCREW (1/4-20 X 5/16")
16	10051	1	GEAR, FIBER
17	606-5012	2	SCREW (#10 X 3/4)
18	12392	1	COVER DECAL
19	611-2100	2	LOCKNUT (#10-32)

Item	Part No.	Req'd	Description
20	81033	4	SCREW (#8 X 1/2)
21	80600	1	HEX KEY
22	16199	1	CRANK HANDLE
23	10069	1	SWITCH COVER
24	80504	1	WIRE GROMMET
25	80237	1	LOCKWASHER
26	81703	2	MICRO SWITCH
27	81032	4	SCREW (#4-40 X 5/8")
28	81038	4	SCREW (#4-40 X 3/8")
29	16263	1	MOTOR (12 VOLT)
30	16176	1	WIRE HARNESS, GRAY (LONG)
31	12589	1	WIRE HARNESS, WHITE
32	12590	1	WIRE HARNESS, BLACK
33	13130	1	WIRE HARNESS, GRAY (SHORT)
34	16175	1	WIRE HARNESS, BLUE
35	15551	1	DRIVE GEAR
36	15553	1	SHAFT
37	16870	1	DRIVE GEAR ASSEMBLY
38	618-1002	1	LOCKWASHER



© Copyright H&H Engineering 1996

DIVISION OF BARKER MFG. CO. / 730 E. MICHIGAN AVE. / P.O. BOX 460 / BATTLE CREEK MI 49016 / (616) 965-2371

H&H SUPER POWER JACK MODEL #12250

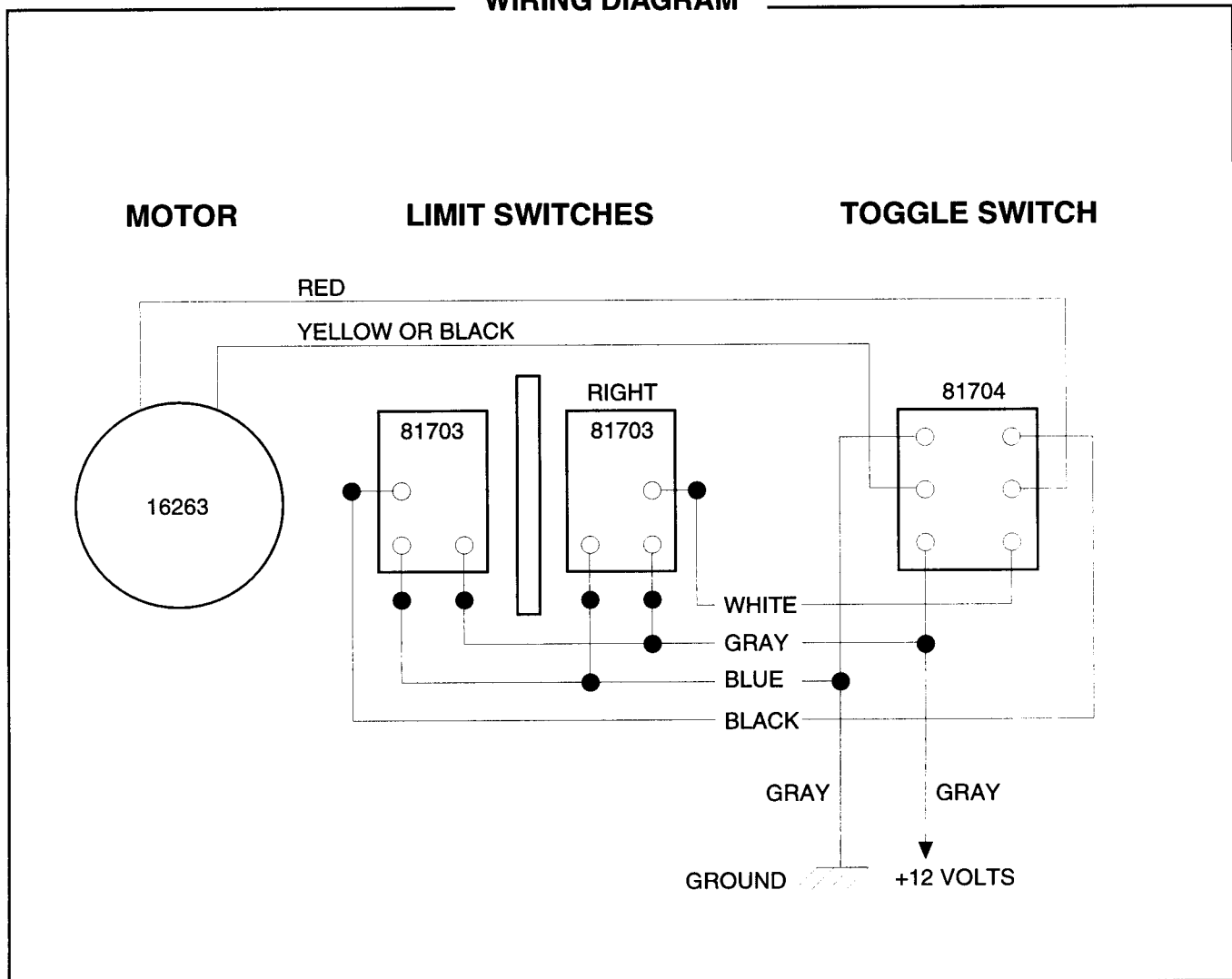
Owner's Instructions

MAINTENANCE

Once a year, the powerhead should be removed and a liberal amount of grease (preferably a grease with high melting point) applied directly to the coupling on which the pin rests. **DO NOT POUR OIL** into top of Super Power jackpost. This may damage brake and cause jack to lower unexpectedly.

Once a year, the housing cover should be removed and the gears inspected for proper lubrication. Remove 4 screws and tap around edges of housing to free the cover--**DO NOT** insert screwdriver blade-- this may damage mating surfaces. Before replacing cover, clean mating surfaces. If lubrication is needed, use a Lithium based gear grease.

WIRING DIAGRAM



© Copyright H&H Engineering 1996